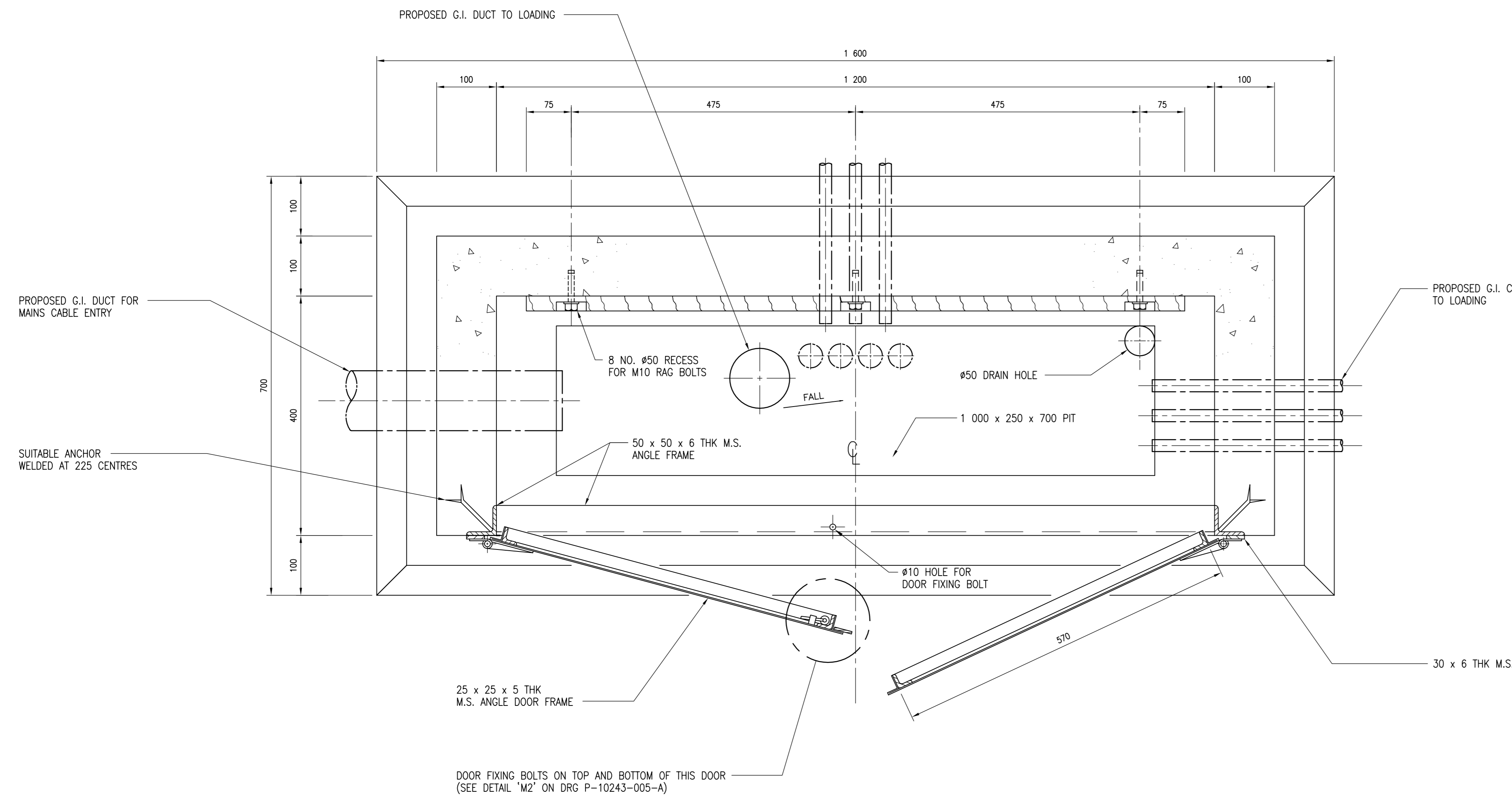
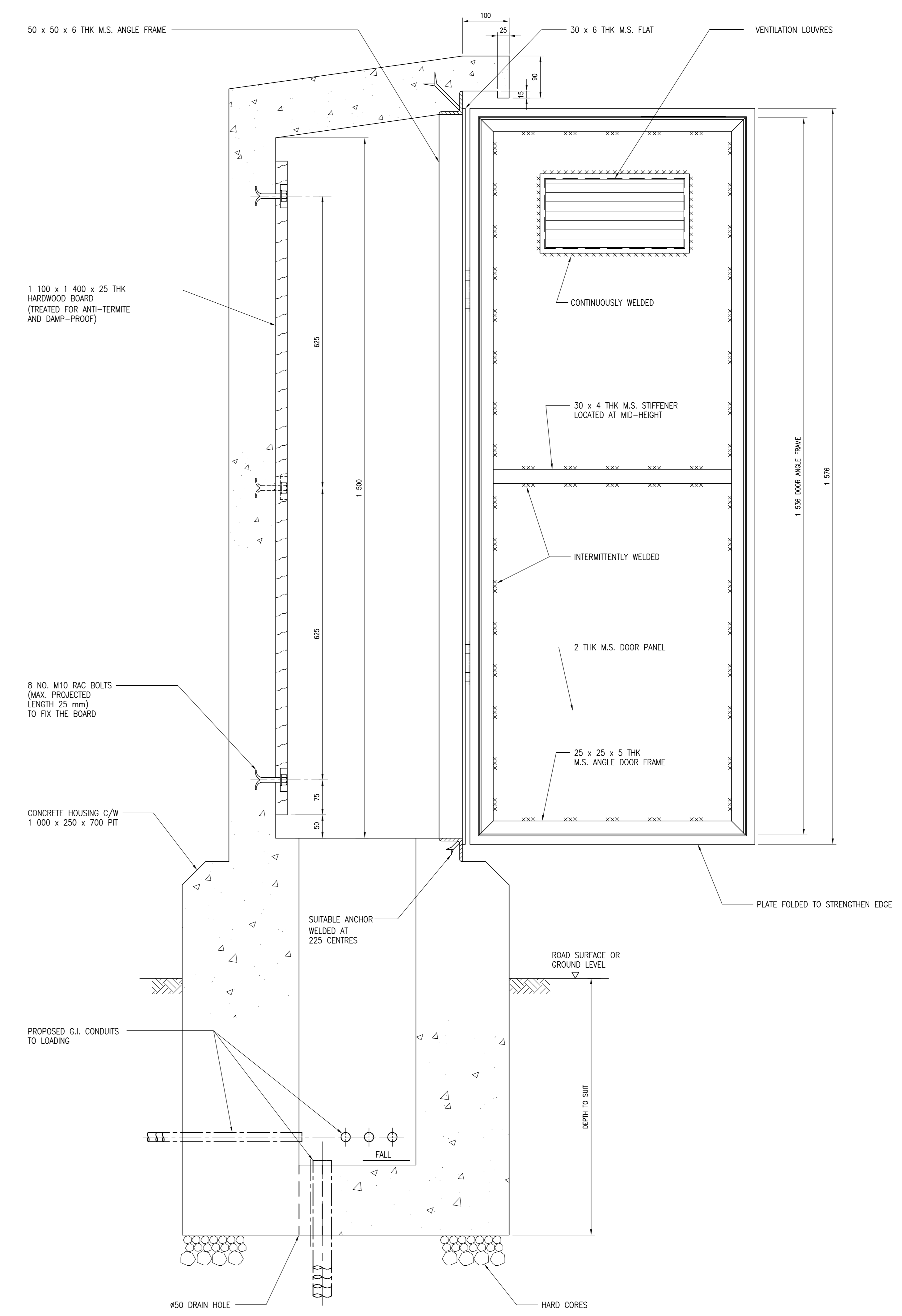


FRONT ELEVATION



SECTIONAL PLAN



SECTIONAL SIDE ELEVATION
(WITH DOOR OPENED)

- NOTES:
1. ALL DIMENSIONS IN MILLIMETRES.
 2. CIVIL CONTRACTOR IS TO PROVIDE ALL WORKS UNLESS SPECIFIED OTHERWISE.
 3. THE PVC/G.I. DUCT FOR MAINS CABLE SHALL TERMINATE INSIDE THE NEAREST CABLE DRAW PIT PROVIDED BY THE SUPPLY COMPANY. EXACT ENTRY TO BE DECIDED ON SITE.
 4. STEELWORK SHALL BE PROTECTED AGAINST CORROSION TO B.S. 5493 AND PAINT COATINGS APPLIED AS INDICATED IN THE SPECIFICATIONS.
 5. SIZES & EXACT POSITIONS OF G.I. DUCTS AND CONDUITS REFER TO RELEVANT DRAWING(S) OR SPECIFICATION.
 6. REFER TO ELECTRICAL LAYOUT DRAWING FOR NO. OF G.I. CONDUITS FOR LAYING FROM PILLAR BOX TO THE SUBWAY(S).
 7. THIS DRAWING IS TO BE READ IN CONJUNCTION WITH DRG P-10243-005-A FOR THE CONSTRUCTION DETAILS.

no.	date	description	initial
REVISION			
		name	date
designed			
checked	W.S. TAM	STO/DP7	11/2004
drawn	C.S. CHEN	TO/DP7/1	10/2004
approved			
Y.M. LI			
SPE/7			
contract no.			
file no. DP 10103			
project no.			
contract			

REFERENCE DRAWING

CONCRETE PILLAR BOX
(1 200W X 1 500H)

drawing no.	scale
P-10243-003-A	NIL

PROJECT DIVISION

