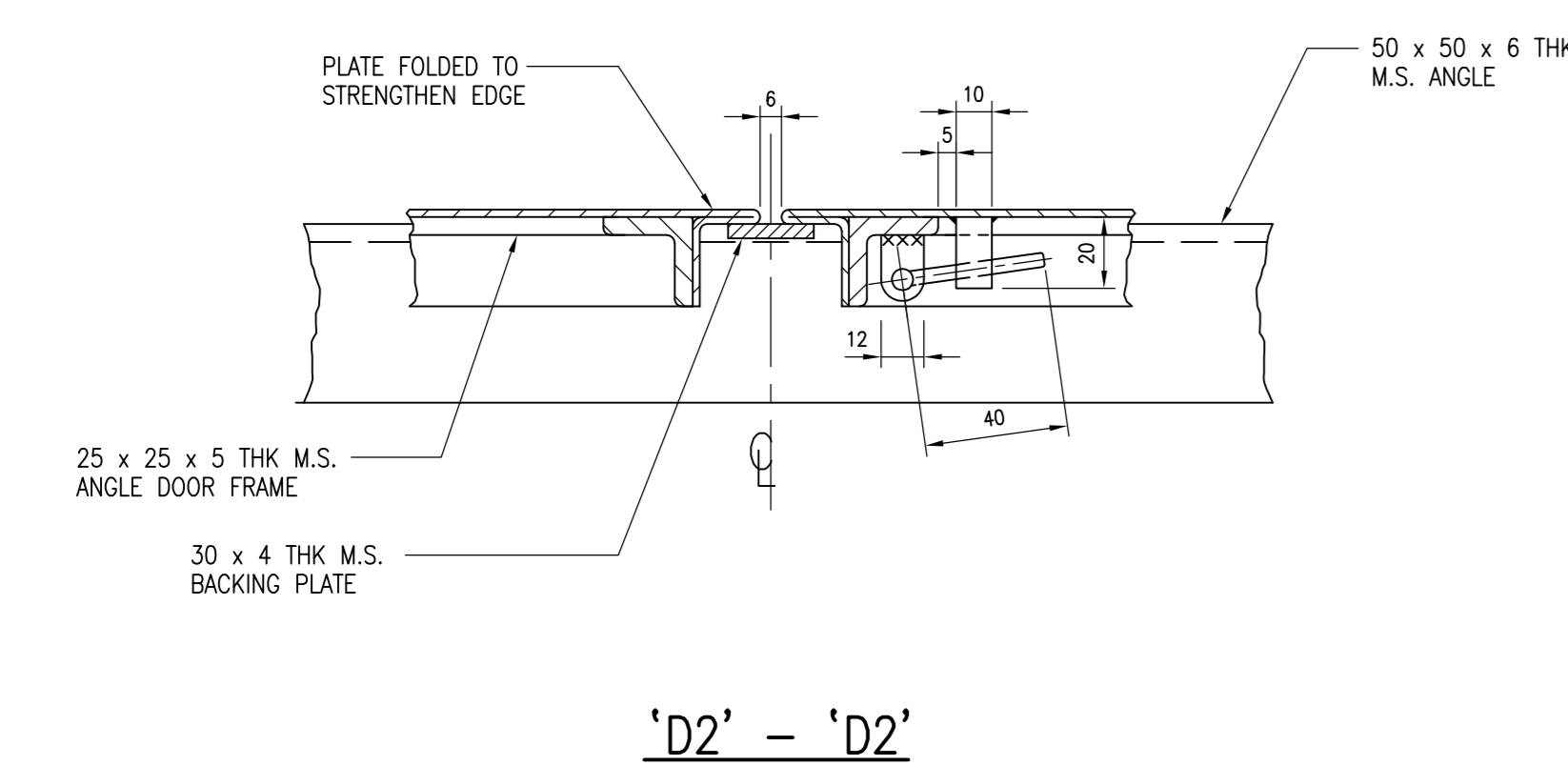
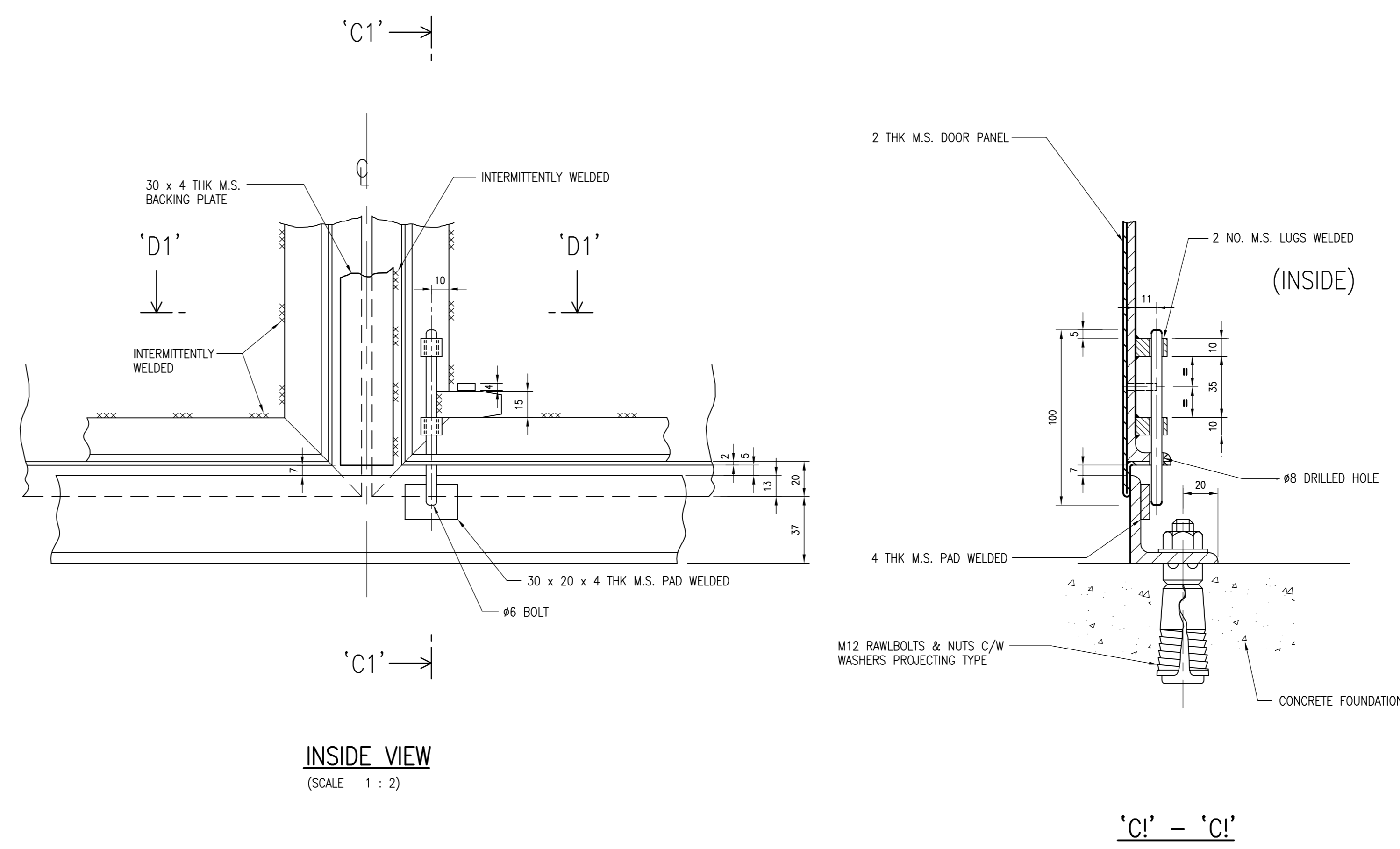
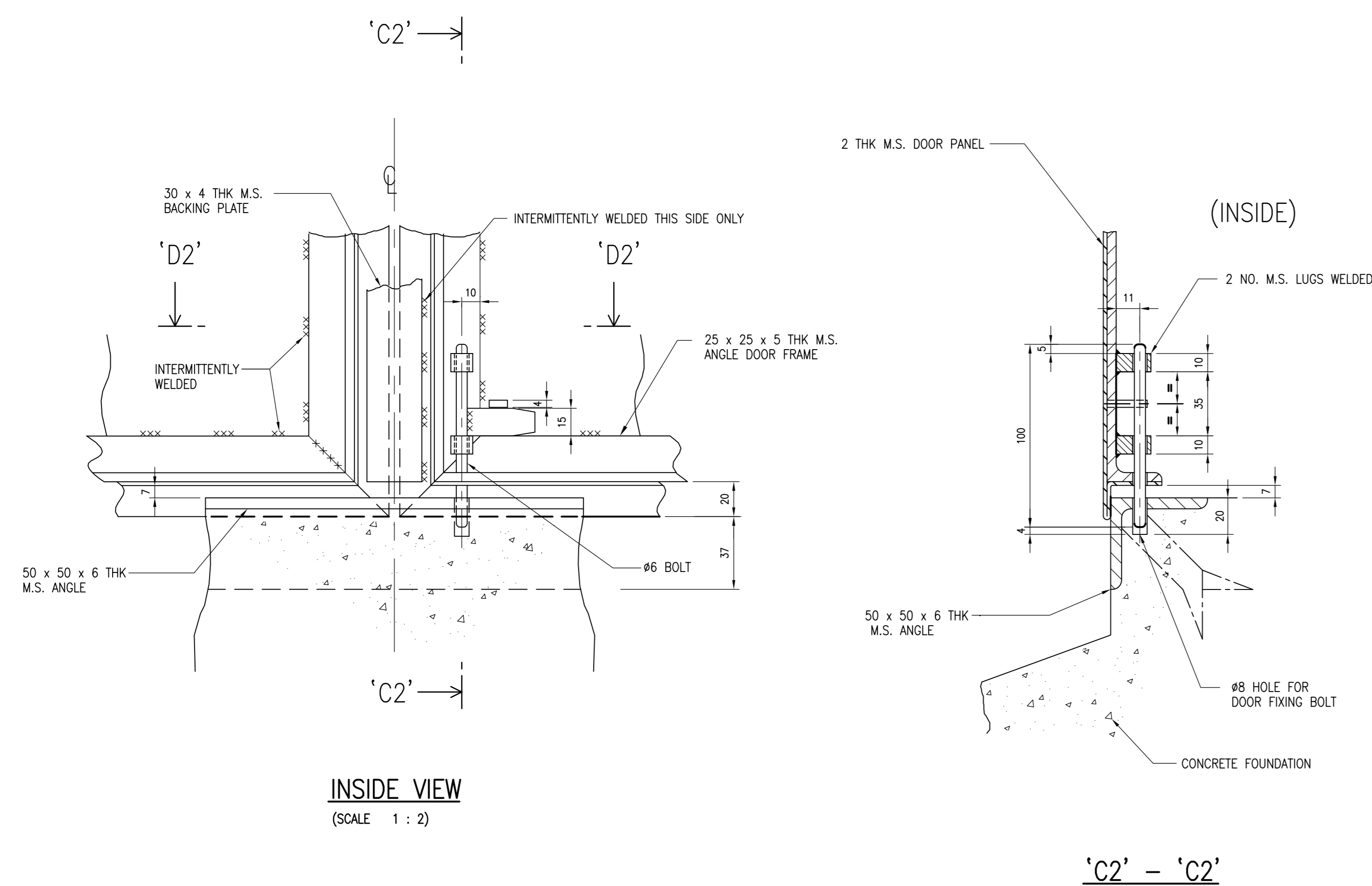
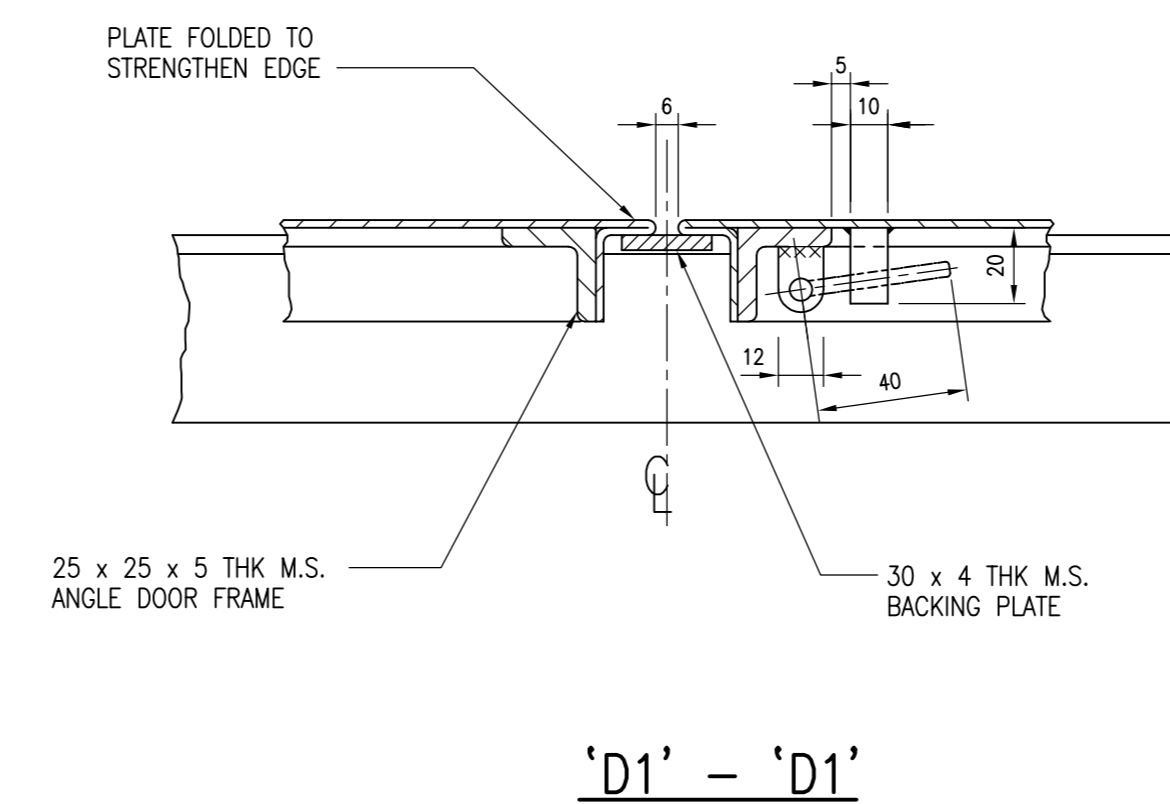


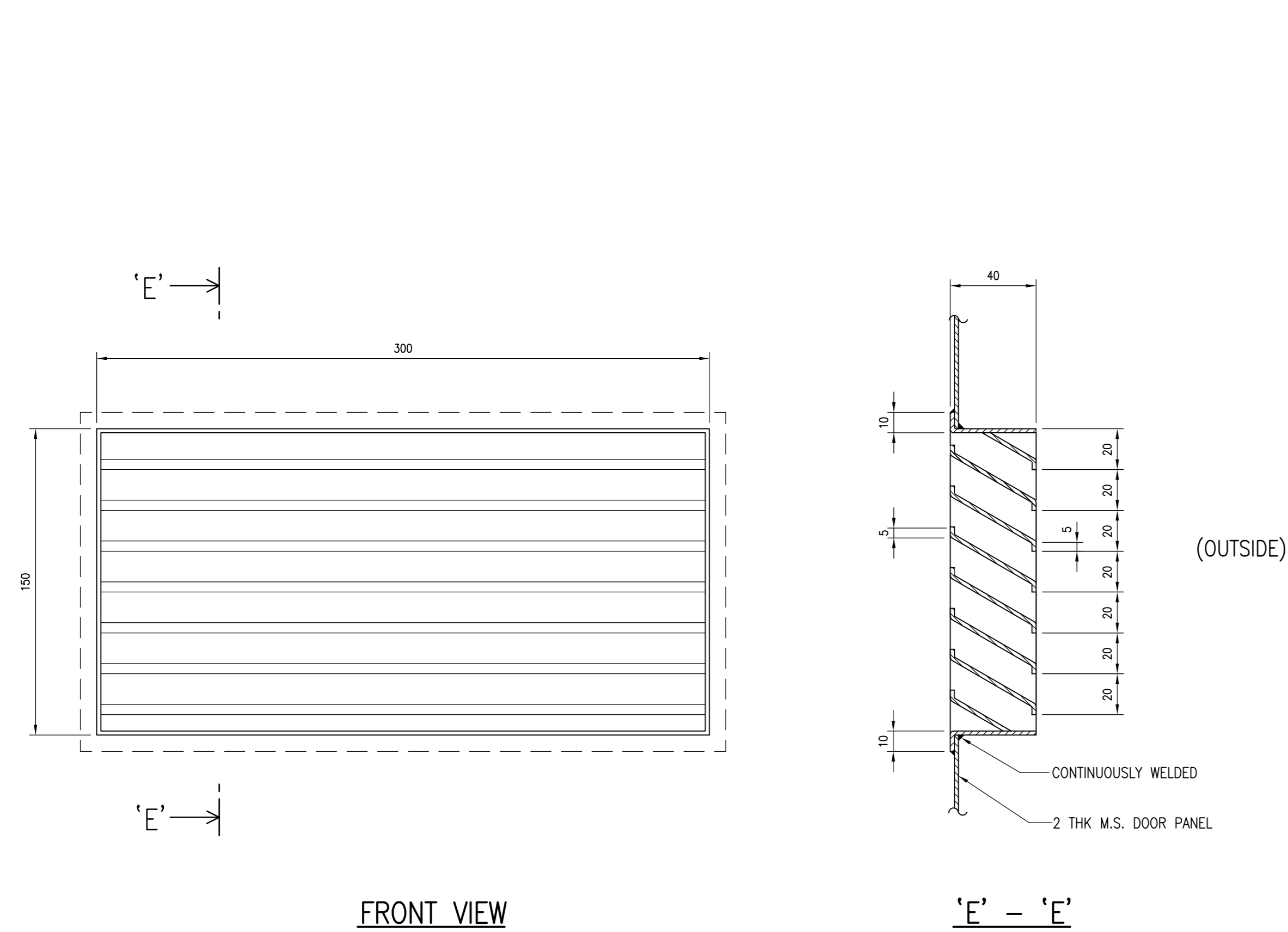
NOTES:
 1. ALL DIMENSIONS IN MILLIMETRES.
 2. ALL WORKS TO BE PROVIDED BY CIVIL CONTRACTOR UNLESS SPECIFIED OTHERWISE.



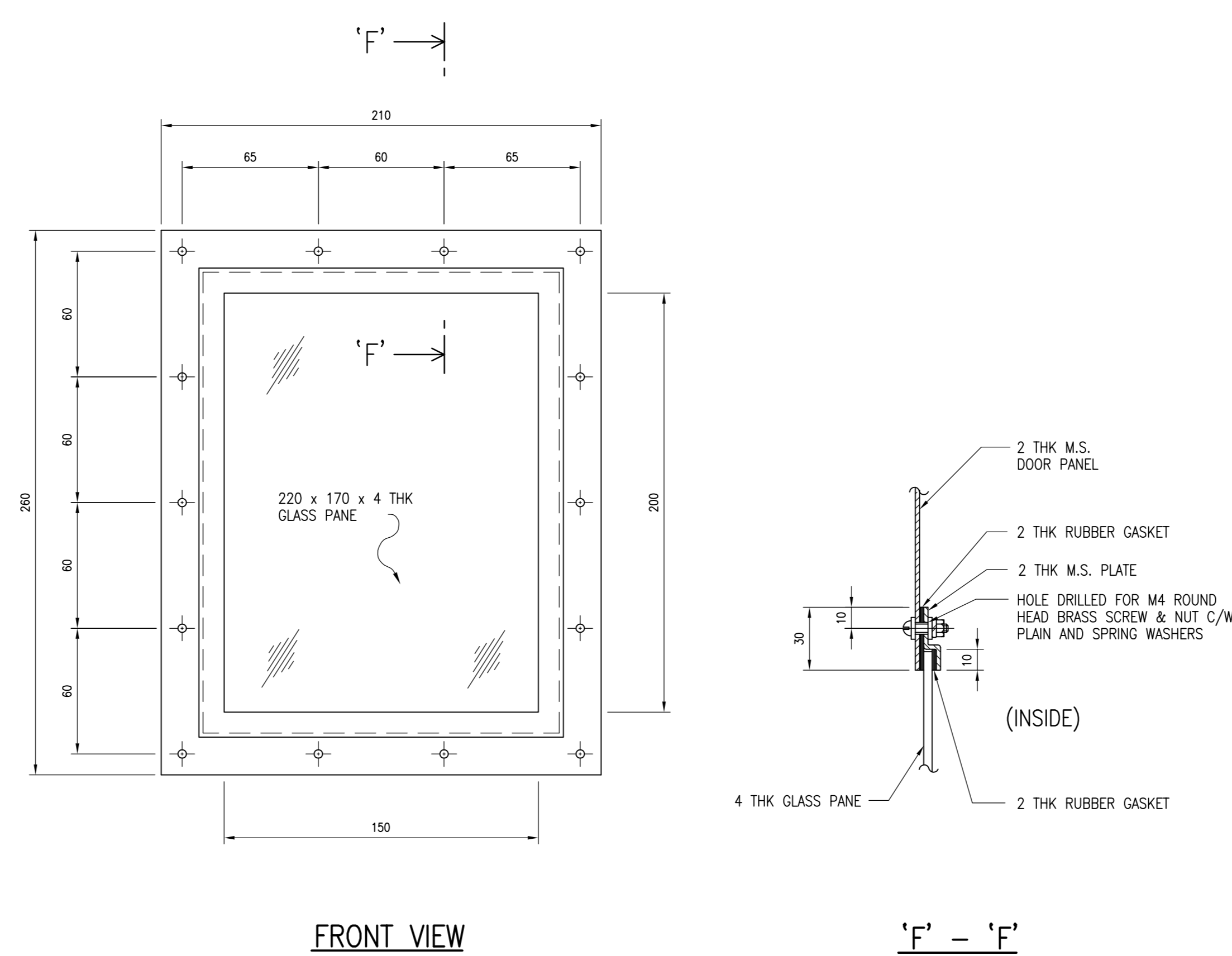
DETAIL M2
DOOR BOLT FOR CONCRETE PILLAR BOX
 (SCALE 1 : 2)



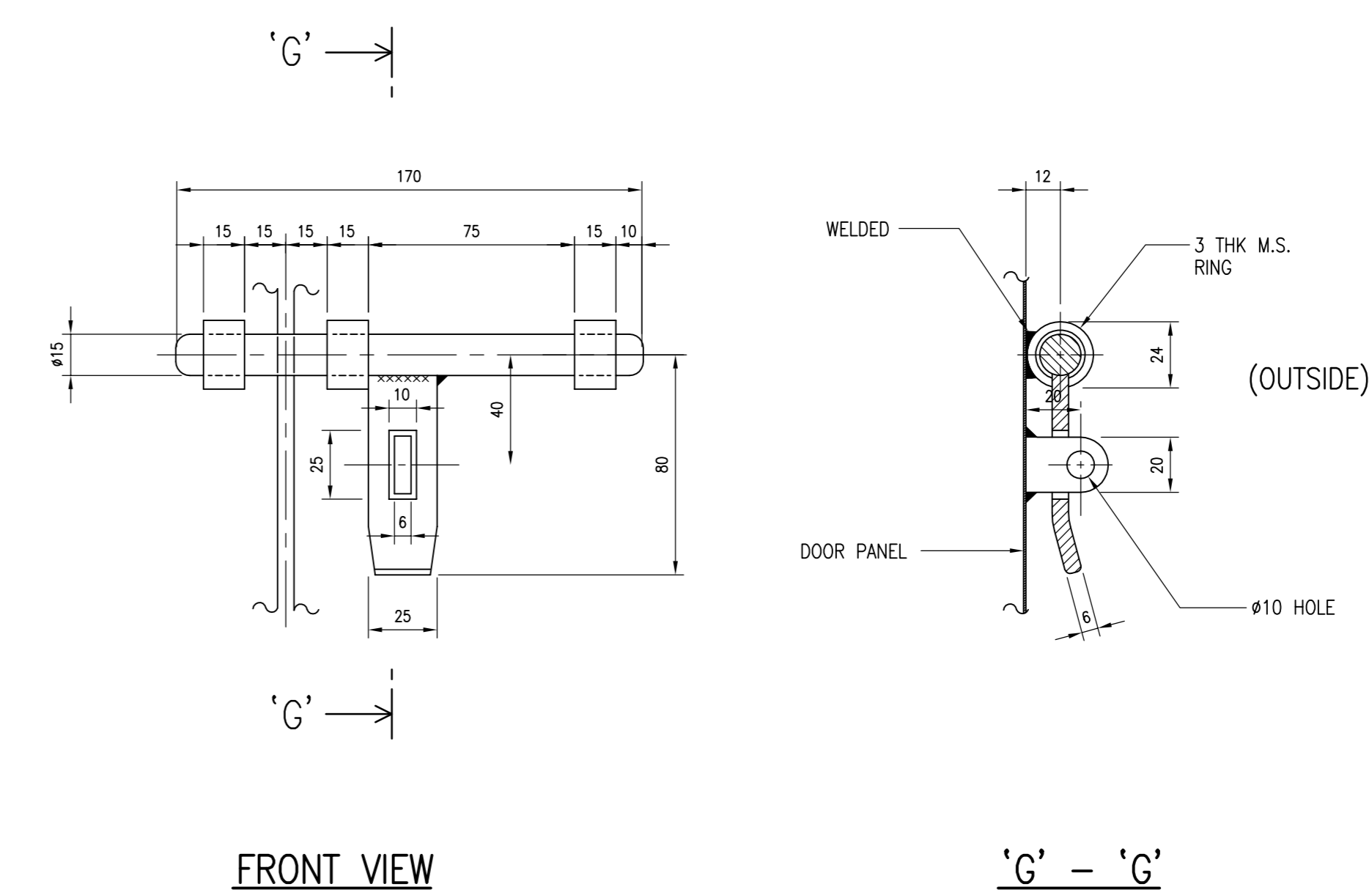
DETAIL M1
DOOR BOLT FOR M.S. PILLAR BOX
 (SCALE 1 : 2)



DETAIL N
VENTILATION LOUVRES
 (SCALE 1 : 2)



DETAIL P
GLAZED WINDOW
 (SCALE 1 : 2)



DETAIL Q
DOOR LOCK BOLT
 (SCALE 1 : 2)

no.	date	description	initial
REVISION			
designed		name	date
checked	W.S. TAM		11/2004
drawn	C.S. CHOI		10/2004

approved
 Y.M. LI
 SPE/7
 contract no.
 file no. DP 10103
 project no.
 contract

REFERENCE DRAWING

DETAILS FOR PILLAR BOX

drawing no. P-10243-005-A
 scale NIL

PROJECT DIVISION

