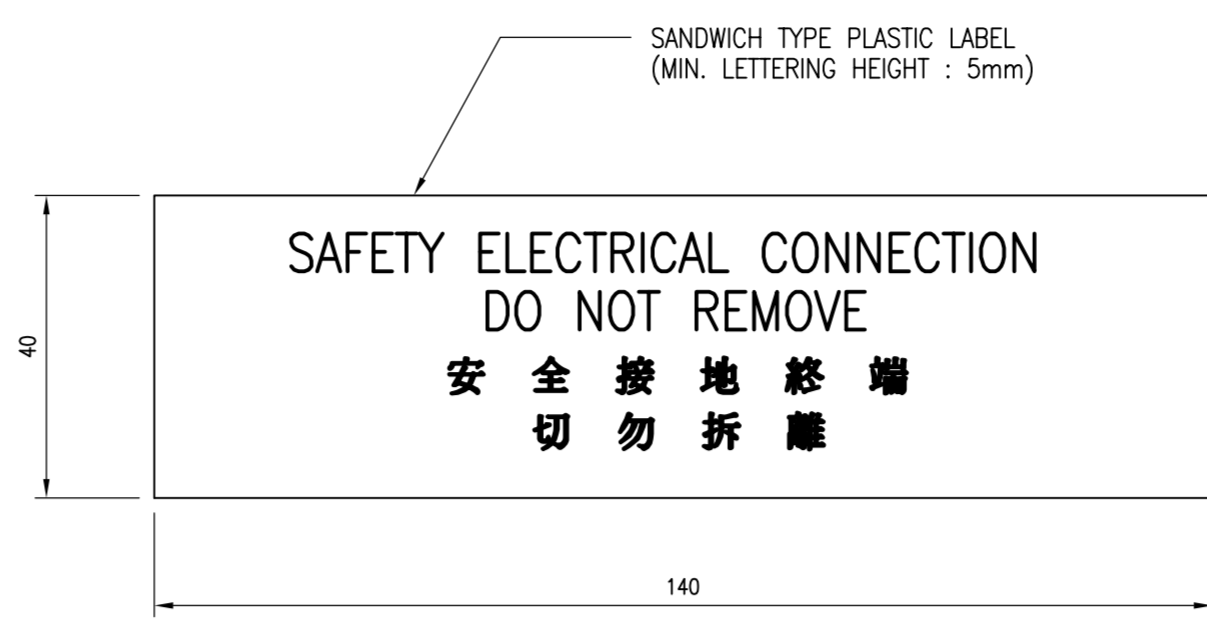
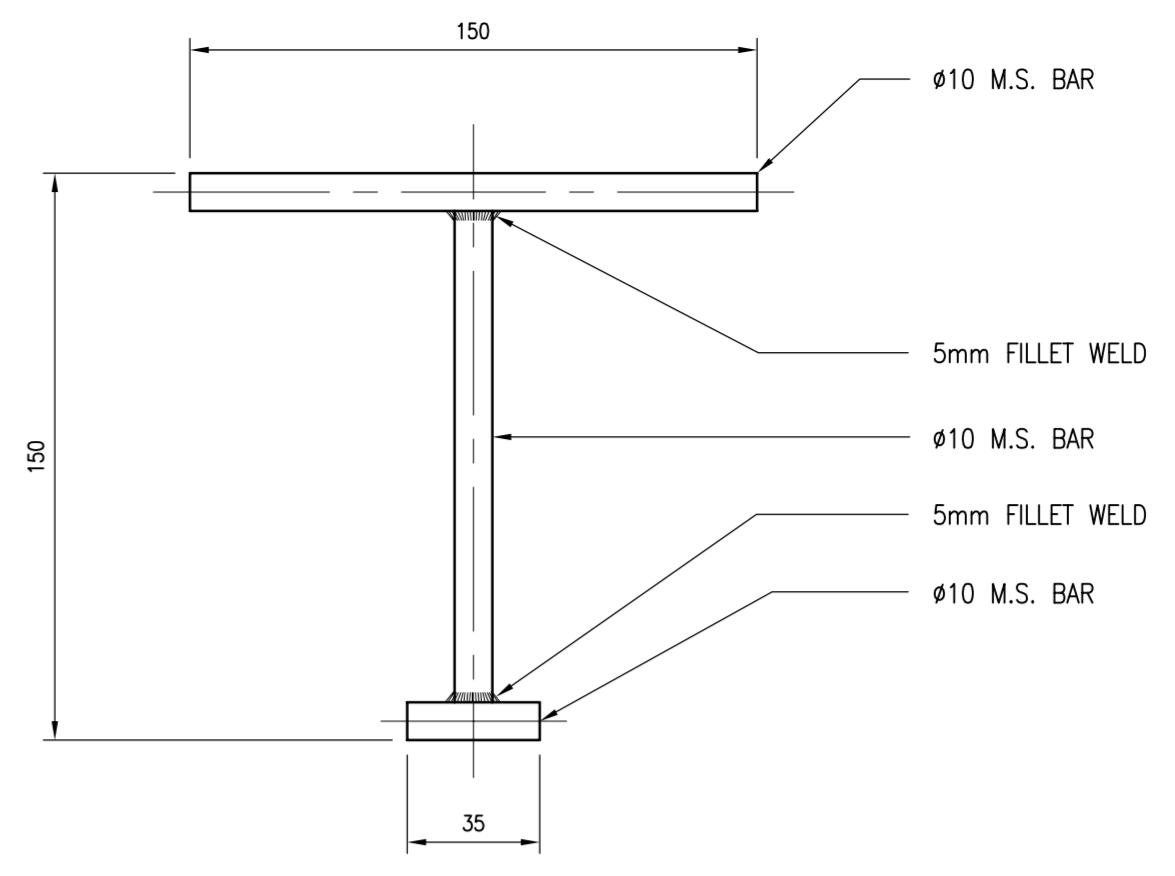


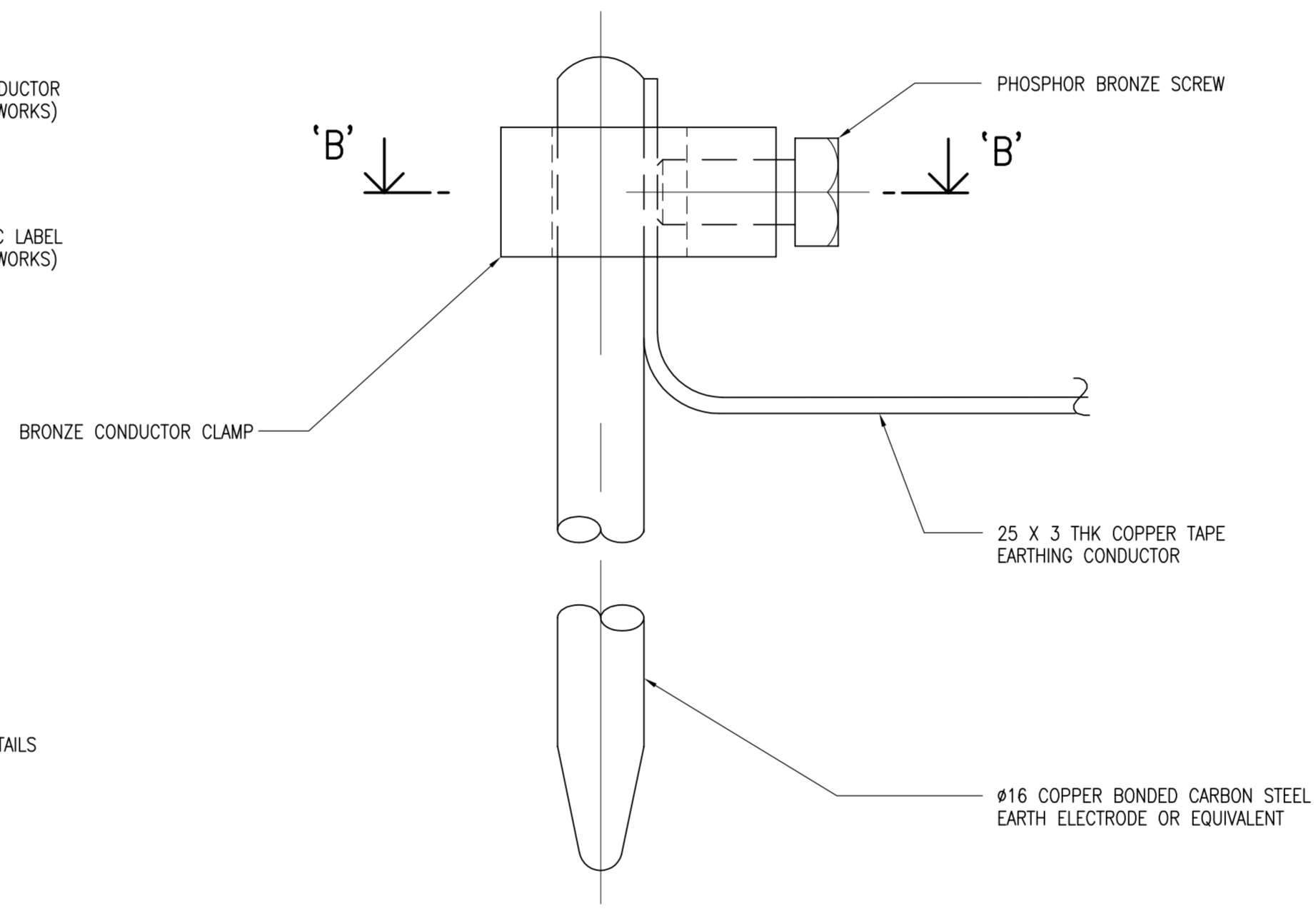
SECTION 'A' - 'A'
(SCALE 1 : 5)



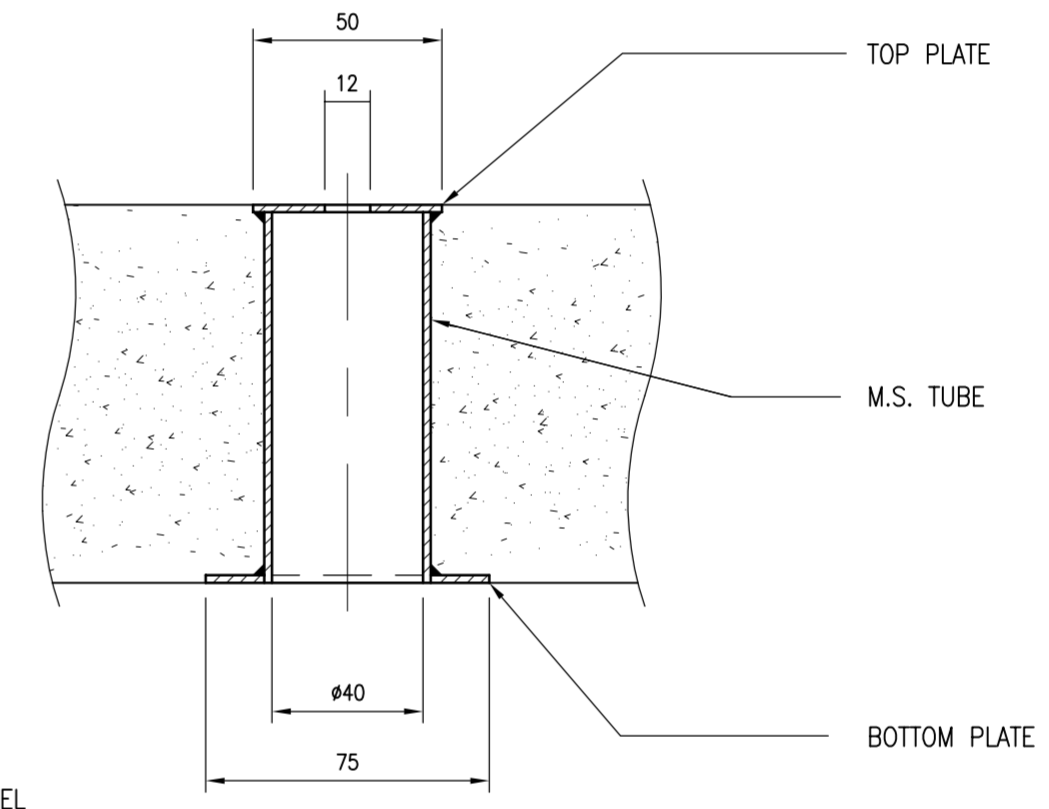
PLASTIC WARNING LABEL
(SCALE 1 : 1)



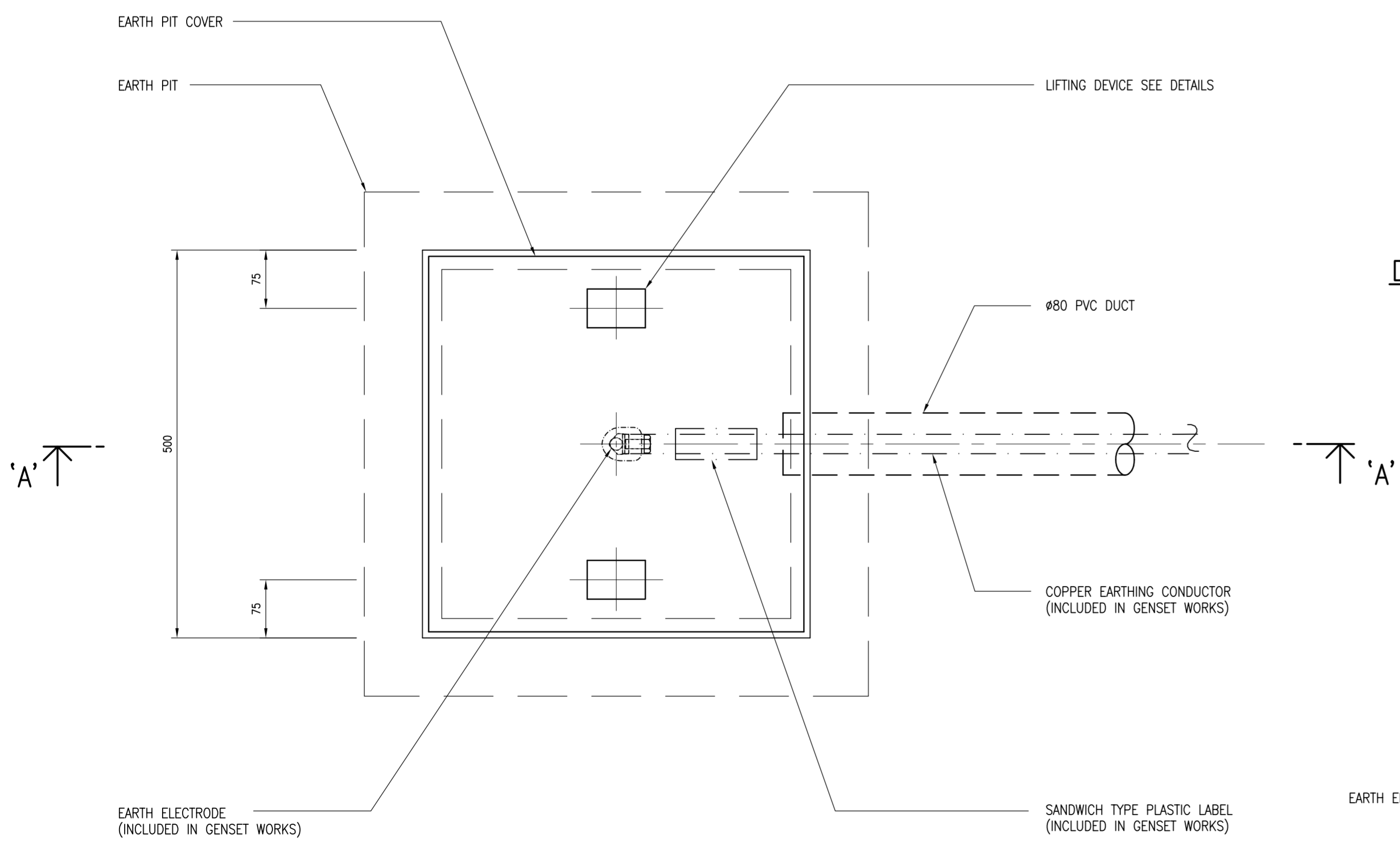
LIFTING KEY
(SCALE 1 : 2)
(2 NO. REQUIRED)



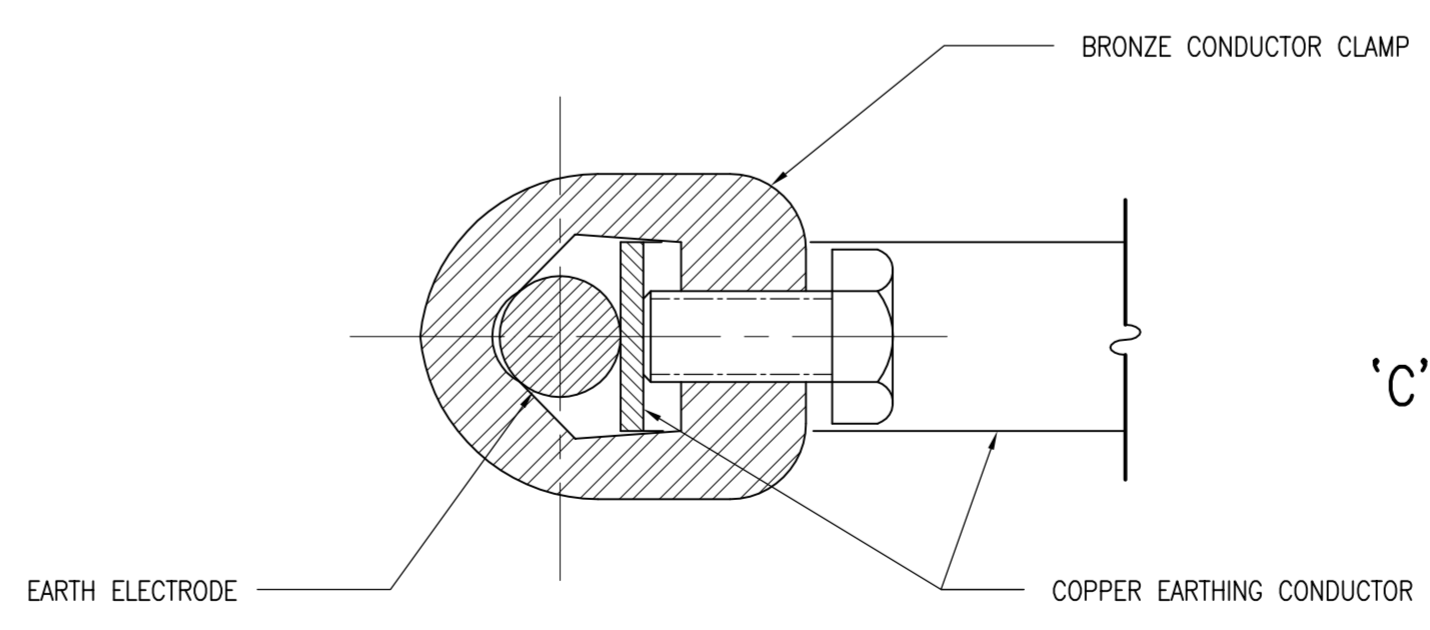
DETAILS OF BRONZE CONDUCTOR CLAMP
(SCALE 1 : 1)



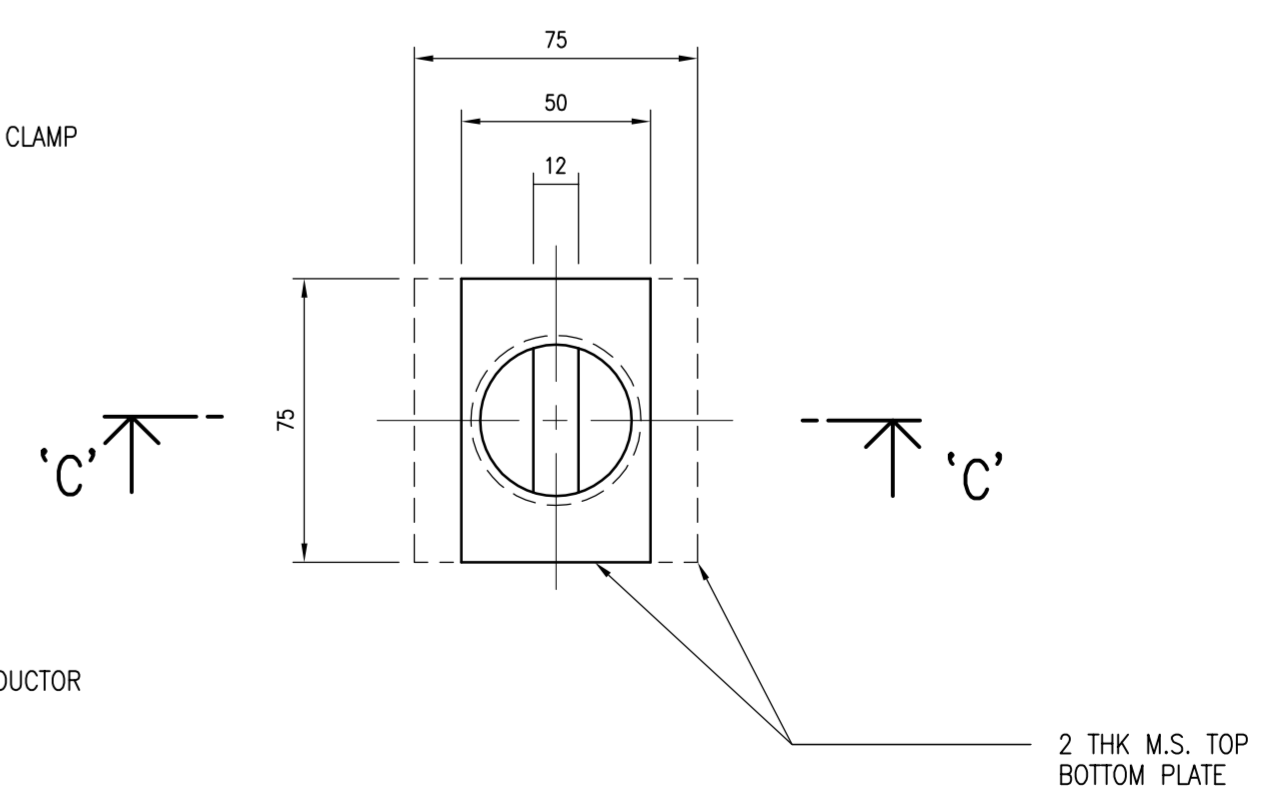
SECTION 'C' - 'C'
(SCALE 1 : 2)



P L A N
(SCALE 1 : 5)



SECTION 'B' - 'B'
(SCALE 1 : 1)



DETAILS OF LIFTING DEVICE
(SCALE 1 : 2)

- NOTES:
1. ALL DIMENSIONS ARE IN MILLIMETRES.
 2. THE EARTHING SYSTEM SHALL COMPLY WITH THE REQUIREMENTS IN THE LATEST EDITION OF THE ELECTRICITY ORDINANCE ISSUED BY THE HONG KONG GOVERNMENT.
 3. EARTHING RESISTANCE SHALL BE TESTED IN ACCORDANCE WITH BS7671 OR EQUIVALENT AND THE RESULTS SHALL BE SUBMITTED TO THE ENGINEER FOR APPROVAL.
 4. THE BUILDER IS TO BE RESPONSIBLE FOR THE WORK UNLESS OTHERWISE SPECIFIED. THE EARTH PIT SHALL BE CONSTRUCTED ONCE THE GENSET SUB-CONTRACTOR HAS INSTALLED THE EARTH ELECTRODE.

no.	date	Description	initial
REVISION			
		name	date
designed			
checked	W.S. TAM STO/DP7		11/2004
drawn	C.S. CHOI TO/DP7/1		10/2004
approved			
Y.M. LI SPE/7			
contract no.			
file no. DP 10103			
project no.			
contract			

REFERENCE DRAWING

DETAILS OF EARTH PIT

drawing no.	scale
P-10243-006-A	AS SHOWN

PROJECT DIVISION

