



New Cable Colour Code

for Fixed Electrical Installations

Introduction

Electric cables for new, addition and alteration projects with cable installation works commencing on-site in Hong Kong on or after 1 July 2007 will adopt the new cable colour code (CCC). There is a two-year grace period from 1 July 2007 to 30 June 2009 during which either the new or the old colour cables, but NOT both, can be used. Starting from 1 July 2009, new colour cables must be used for all fixed electrical installations.

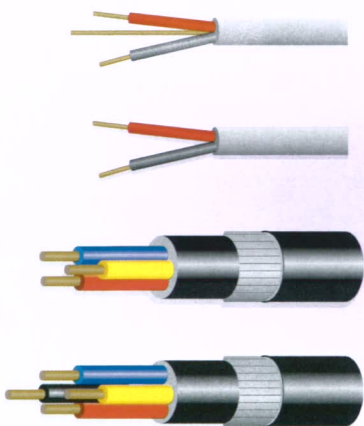
Old colour cables
must be used

Old or new colour cables
can be used

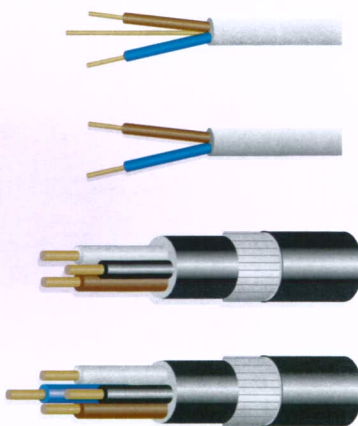
New colour cables
must be used

1.7.2007

1.7.2009



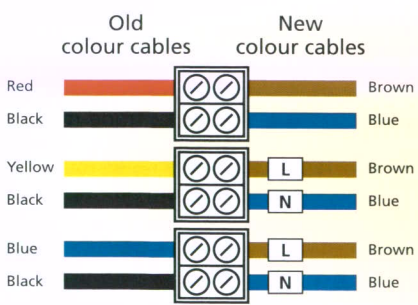
Old colour cables



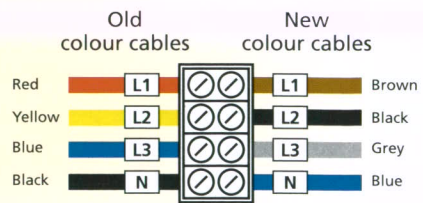
New colour cables

Precautions

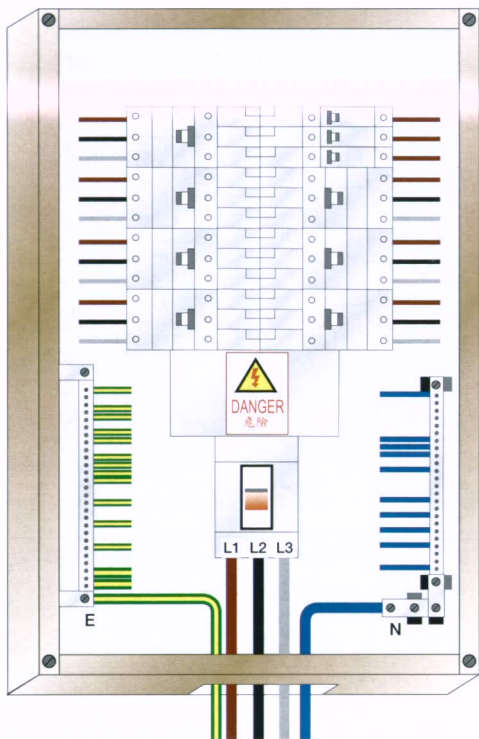
New installation and extension/alteration/repair to an existing installation shall comply with the "Installation Guidelines - New Cable Colour Code for Fixed Electrical Installations" published by EMSD. Addendum for CCC are included in the Code of Practice for the Electricity (Wiring) Regulations (CoP).



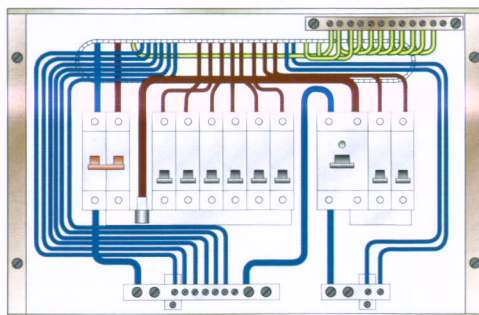
Single-phase Installation



Three-phase Installation



New coloured wiring in a 3-phase distribution board



New coloured wiring cables in a single phase distribution board

小心！

此電力裝置包含新舊顏色的電線。
在進行加裝、改裝或修理工作前，
務須正確識別所有導體。

CAUTION !

THIS INSTALLATION HAS BOTH NEW AND OLD CABLE COLOURS. GREAT CARE SHOULD BE TAKEN BEFORE UNDERTAKING EXTENSION, ALTERATION OR REPAIR THAT ALL CONDUCTORS ARE CORRECTLY IDENTIFIED.

Warning notice

Training Requirement for Registered Electrical Workers

With a view to ensuring safe and smooth implementation of the new CCC, trade members applying for new, renewal or change of registration of electrical worker should be trained on the new CCC and with the training properly recorded by EMSD. The requirement has the support of the Working Group on the Review of Cable Colour Code in Hong Kong and the endorsement of the Electrical Safety Advisory Committee.

CCC Training Courses

Registered Electrical Workers (REWs) are encouraged to complete and pass the web-based self assessment training at the EMSD website (www.emsd.gov.hk → **Protecting Public Safety** → **Electricity** → **New Cable Colour Code** → **Training for the Trade** → **Self assessment**) the soonest, and the CCC training will be recorded.

新電線顏色代碼
New Cable Colour Code

繁體中文 簡體中文

機電工程署
EMSD

Welcome to the CCC Training Site

1. This online exercise is designed to provide new cable colour code training for registered electrical workers.
2. To log on for this exercise, please enter your registration number and date of birth. Then you can answer 8 multiple-choice questions according to the instructions.
3. Your exercise result will be recorded if it has met the minimum requirement. For details of the minimum requirement, please refer to the "Exercise Description" after you log on.
4. You may log on to do this exercise as many times as you like.
5. Your exercise result will be used only for the purpose of keeping a record of the new cable colour code training. All information you have provided will be kept confidential and processed by authorized persons. You have the right to apply for access to and correction of your personal data in writing.

Please enter your REW no., Date of Birth and press Login to start the Web Training.

Registration No. :

Date of Birth : 1988 | 01 | 01 (Year/Month/Day)

Login Copyright

Electrical workers can also join other valid training courses such as:

- mass scale training sessions
- train-the-trainers workshops
- distributed training classes conducted by trainers who have attended the train-the-trainers workshop
- training courses arranged by EMSD (or co-organized by EMSD and other organizations), including training courses arranged for Government departments and training provided at EMSD Customer Services Office

New Cable Colour Code Web Corner

For details and updated information about the new CCC, please visit the CCC web corner at the EMSD website.

www.emsd.gov.hk → Protecting Public Safety → Electricity → New Cable Colour Code



Electricity Legislation  **EMSD**

Electrical and Mechanical Services Department

3 Kai Shing Street, Kowloon, Hong Kong

Tel : 1823(Hotline)

Fax : 2895 4929

Website : www.emsd.gov.hk

Email : ccc@emsd.gov.hk