

(96) in LE/02/04 Pt. II

(852) 2808 3861

(852) 2504 5970

March 20, 2003

All Registered Lift and Escalator Contractors

Dear Sirs,

**Circular No. 6/2003**  
**Code of Practice on the Design and Construction**  
**of Lifts and Escalators (2000 Edition)**  
**Amendment No. 4**  
**Code of Practice for Lift Works and Escalator Works (2002 Edition)**  
**Amendment No. 2**

Pursuant to section 27G of the Lifts and Escalators (Safety) Ordinance, Cap. 327, the Code of Practice on the Design and Construction of Lifts and Escalators (2000 Edition) (Design Code) and the Code of Practice for Lift Works and Escalator Works (Works Code) have been amended by incorporating some minor changes and corrections.

The above changes have been included in the Amendment No. 4 of the Design Code and Amendment No. 2 of the Works Code which are attached for your retention.

Yours faithfully,

(LAW Yu-wing)  
for Director of Electrical & Mechanical Services

*Encl.*

c.c. AD/BS  
D of Housing (Attn.: TS/2)  
D of Buildings (Attn.: CBS/Legislation)  
D of Fire Services (Attn.: Fire Safety Command)  
The Hong Kong General Union of Lift and Escalator Employees  
G28/28 SF1 Pt. IV

WKH/GMWC/LYW

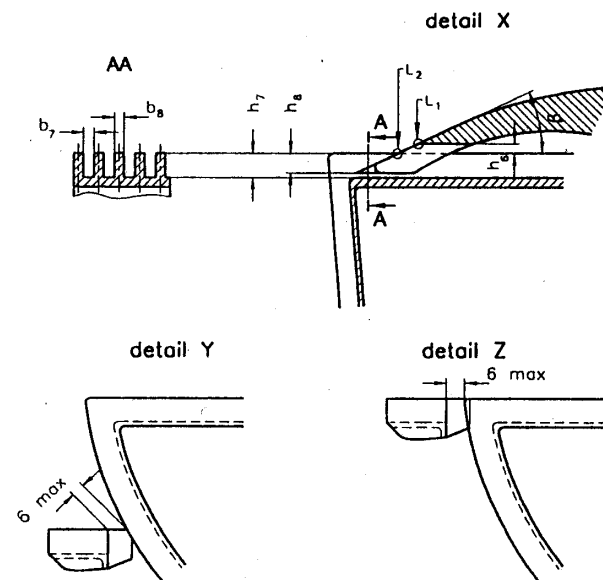
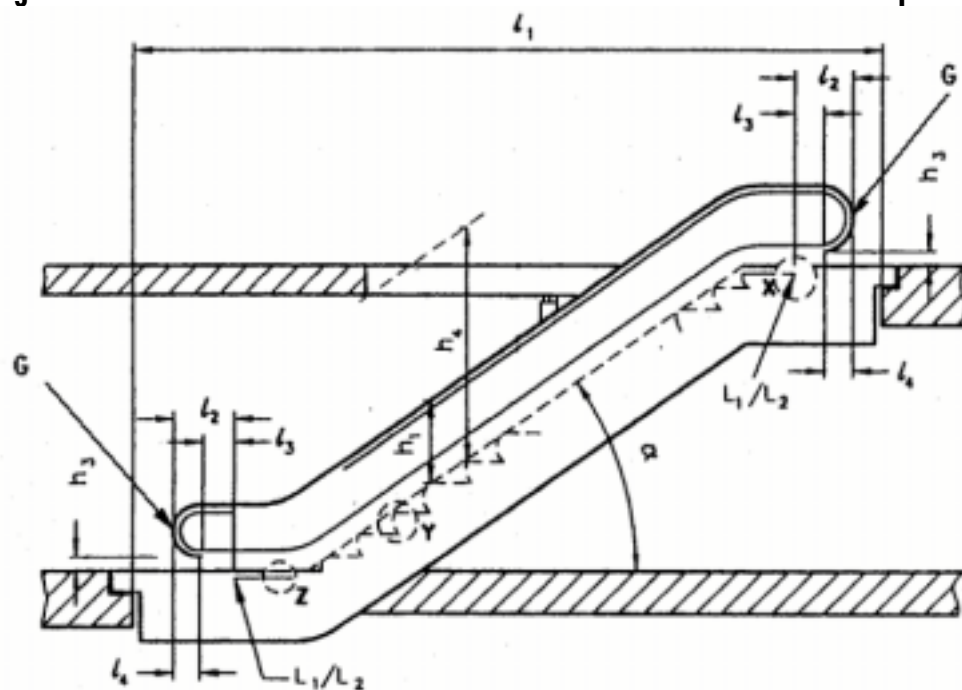
**Code of Practice  
on the Design and Construction of  
Lifts and Escalators  
(2000 Edition)**

**Amendment No. 4 of 2000 Edition  
Minor Changes/Corrections**

(Item 1 becomes effective as from May 1, 2003  
and applicable to lifts tendered on or after that date.  
Items 2 and 3 are corrections.)

<u>Item</u>	<u>Clause</u>	<u>Description</u>
1	Section E Part 1 Clause 11.2.4 (f)	Replace "WHEN THERE IS A FIRE DO NOT USE THE LIFT" by "IN CASE OF FIRE DO NOT USE THE LIFT".
2	Section E Part 4 Clause 8.6.4	Replace "in all other operations ...." in the 2 <sup>nd</sup> sentence by "In all other operations .....".
3	Section E Part 4 Fig. 1 & Fig. 2	Replace current Fig. 1 and Fig. 2 by the attached Fig. 1 and Fig. 2.

**Fig.1** Illustrative Elevation of an Escalator's Dimension Requirements



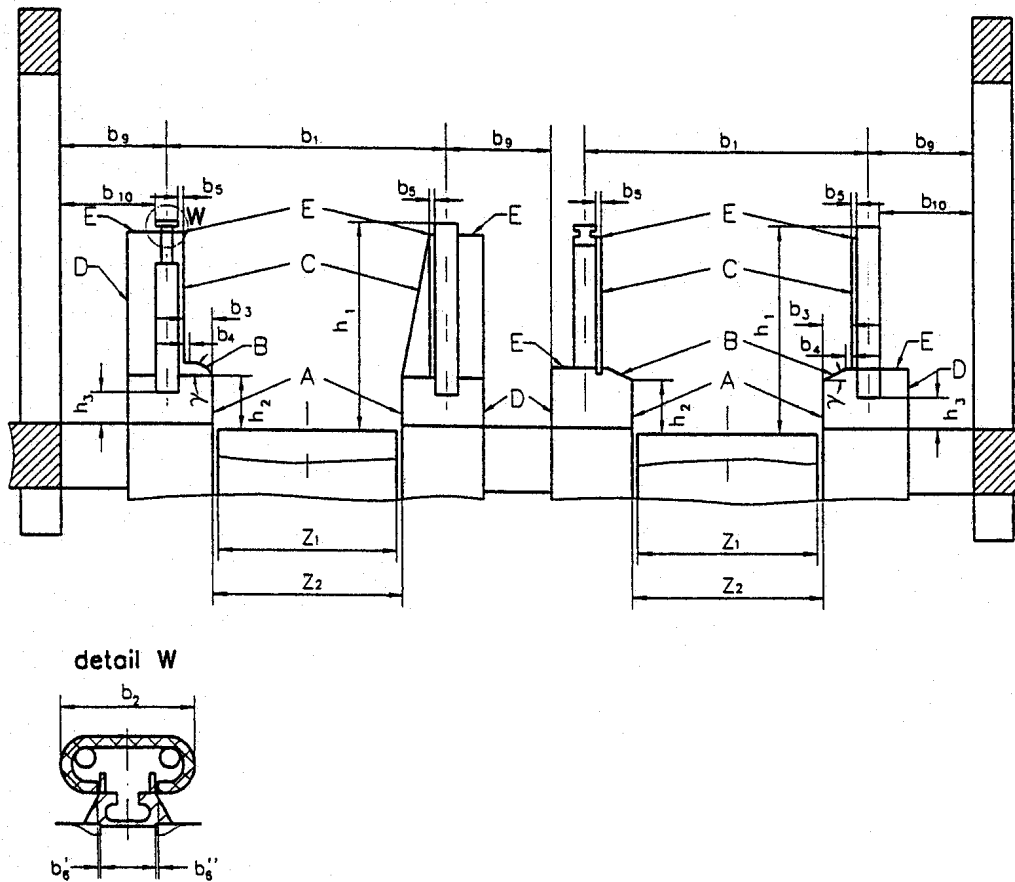
Dimensions in mm

Subclause	Symbol	Description	Value
1.1.5.1(f)	G	Newel	
1.1.5.8	$l_2 \geq$	0.6m	
1.2.1.3	$L_1$	Root of the comb teeth	
1.2.2	$h_4 \geq$	2.30m	
1.3	$l_1$	Distance between supports	
3.2	$l_3 \geq$	0.30m	
3.5.1	$h_3 \geq$	0.10m - $\leq$ 0.25m	
3.5.2	$l_4 \geq$	0.30m - $\leq$ 0.60m	
3.6	$h_1 \geq$	0.90m - $\leq$ 1.10m	
4.2.3.2	$b_7 \geq$	5mm - $\leq$ 7mm (step treads and pallets)	
4.2.3.3	$h_7 \geq$	10mm (steps treads and pallets)	
4.2.3.4	$b_8 \geq$	2.5mm - $\leq$ 5mm (steps treads and pallets)	
4.2.4.2	$b_7 \geq$	4.5mm - $\leq$ 7mm (belts)	
4.2.4.3	$h_7 \geq$	5mm (belts)	
4.2.4.4	$b_8 \geq$	4.5mm - $\leq$ 8mm (belts)	
4.3.2.3	$\beta \leq$	$40^\circ$	
6.1.1	$\alpha$	Angle of Inclination of the escalator	
7.3.1	$h_8 \geq$	6mm (step treads and pallets)	
7.3.2	$h_6 \leq$	4mm (step treads and pallets)	
7.4.1	$h_8 \geq$	4mm (belts)	
7.4.2	$h_6 \leq$	4mm (belts)	
10.3.1.1	$L_2$	Comb intersection line	

The construction does not have to correspond to the drawing; only the indicated dimensions have to be observed.

Fig.2

Illustrative End View of an Escalator's Dimension Requirements



Subclause Symbol

1.1.5.1(a)	A	Skirting	1.2.5	$b_{10} \geq$	200mm
1.1.5.1(b)	B	Interior profile	1.3.1	$Z_1$	Nominal width
1.1.5.1(c)	C	Balustrade interior panelling	3.3.1	$b'_6 \leq$	8mm
1.1.5.1(d)	E	Balustrade decking	3.3.1	$b''_6 \leq$	8mm
1.1.5.1(e)	D	Balustrade exterior panelling	3.3.2	$b_2 \geq$	70mm - $\leq$ 100mm
1.1.5.5(a)	$h_2 \geq$	25mm	3.3.3	$b_5 \leq$	50mm
1.1.5.6(a)	$\gamma \geq$	25°	3.4	$b_1 \leq$	$Z_2 + 0.45m$
1.1.5.6(b)	$b_4 <$	30mm	3.4	$Z_2$	Distance between skirting
1.1.5.6(c)	$b_3 <$	0.12m (if $\gamma$ less than 45°)	3.5.1	$h_3 \geq$	0.10m - $\leq$ 0.25m
1.2.3.2	$b_9 \geq$	0.60m	3.6	$h_1 \geq$	0.90m - $\leq$ 1.10m

The construction of the escalator does not have to correspond to the drawing; only the indicated dimensions have to be observed.

**Code of Practice  
for  
Lift Works and Escalator Works  
(2002 Edition)**

**Amendment No. 2 of 2002 Edition  
Corrections**

(Issued on March 19, 2003)

<u>Item</u>	<u>Clause</u>	<u>Description</u>
1	Section C Clause 3.2	Delete  "Such details are to be provided when the Form 11 is submitted for endorsement by the Director upon the satisfactory completion of the installation works for a service lift and before the service lift is put into operation"