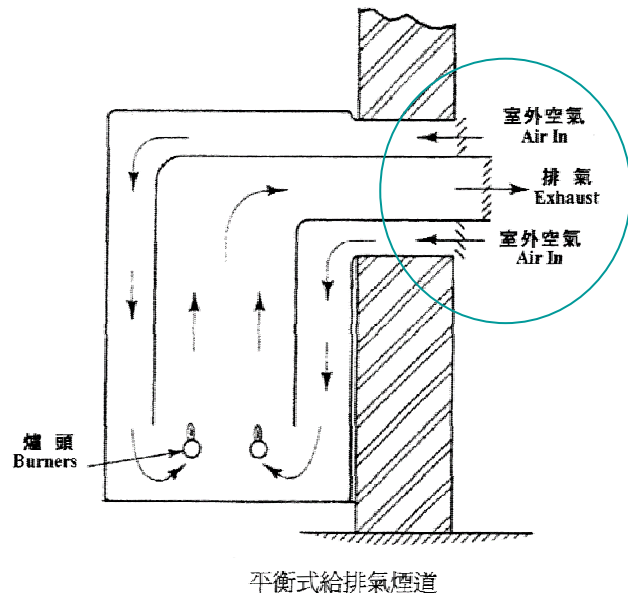


密封(對衡)式熱水爐排煙設計

Room-sealed (balanced flue) type Flue Design

(a) Balanced Flue 對衡式煙道



(a) Room-sealed system

